

EBS-A710

Desktop/Wallmount Chassis

Features

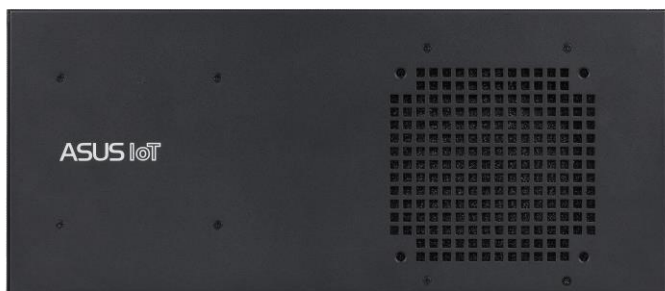
- Compatible with Micro ATX and ATX motherboard size up to 12" x 9.6"
- Support 1 x 3.5" HDD drive bay, 1 x 2.5" Slim HDD bay
- Supplied with 1 x 12025 fan with air filter
- Bidirectional option for vertical or horizontal placement
- With rich rear I/O interface and 7 full height PCIE expansion slots
- Thumb-screw for top cover easy opening



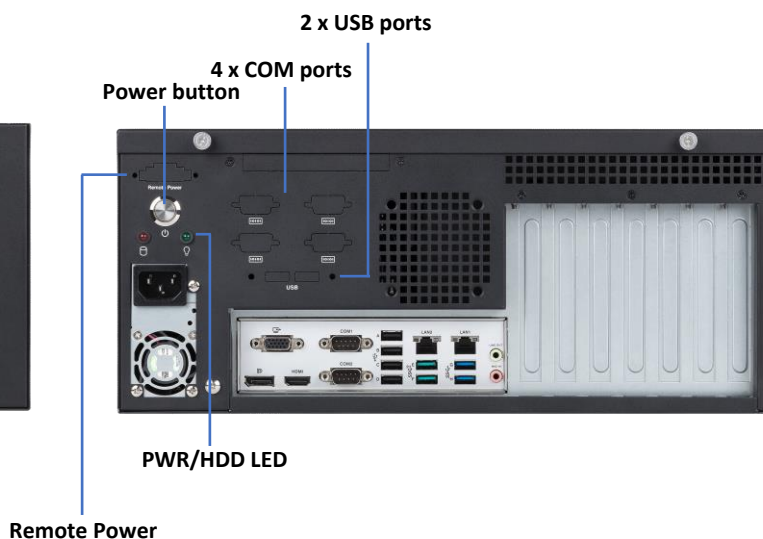
Specifications

Drive Bay	Storage	1 x 3.5" HDD drive bay, 1 x 2.5" Slim HDD bay
Cooling	Chassis Fan	1 x 12025 Fan with Air Filter
Rear I/O Interface	LED Indicators	Power, HDD
	Control	Power Button
	COM	4
	USB	2
	Remote Power	1
Environment	Expansion Slot	7 x Full Height
	Operating Temperature	0~40°C
	Non-Operating Temperature	-15~60°C
Physical Characteristics	Relative Humidity	10~95%@40°C, non-condensing
	Steel plate thickness of chassis	1.2mm SGCC
	Dimension	316.5(L)x380(W)x164(H)mm
Certification	EMI & Safety	CE, FCC, CCC

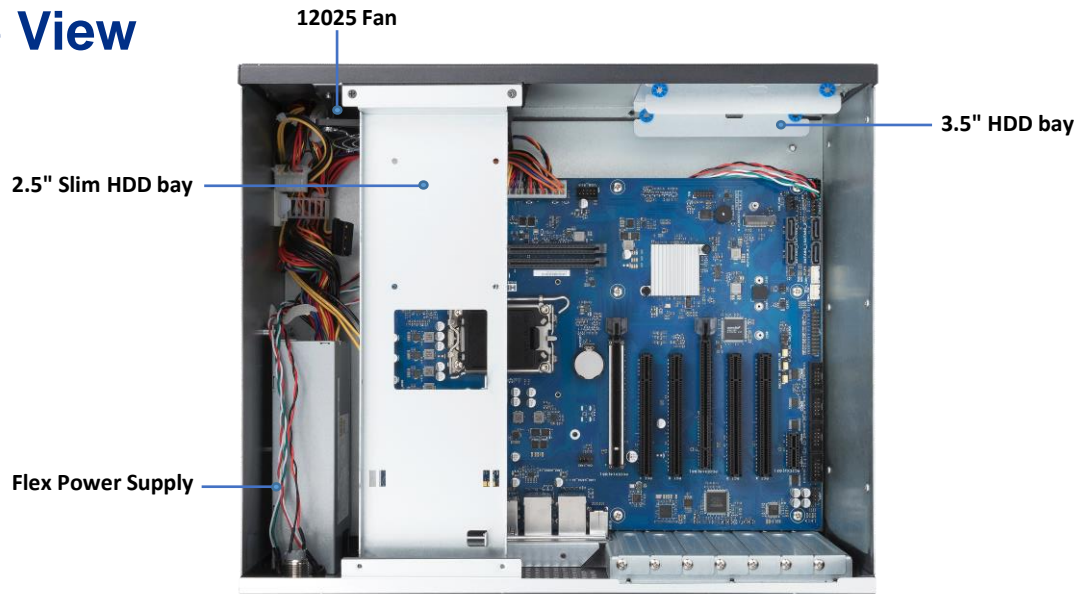
Front View



Inside View

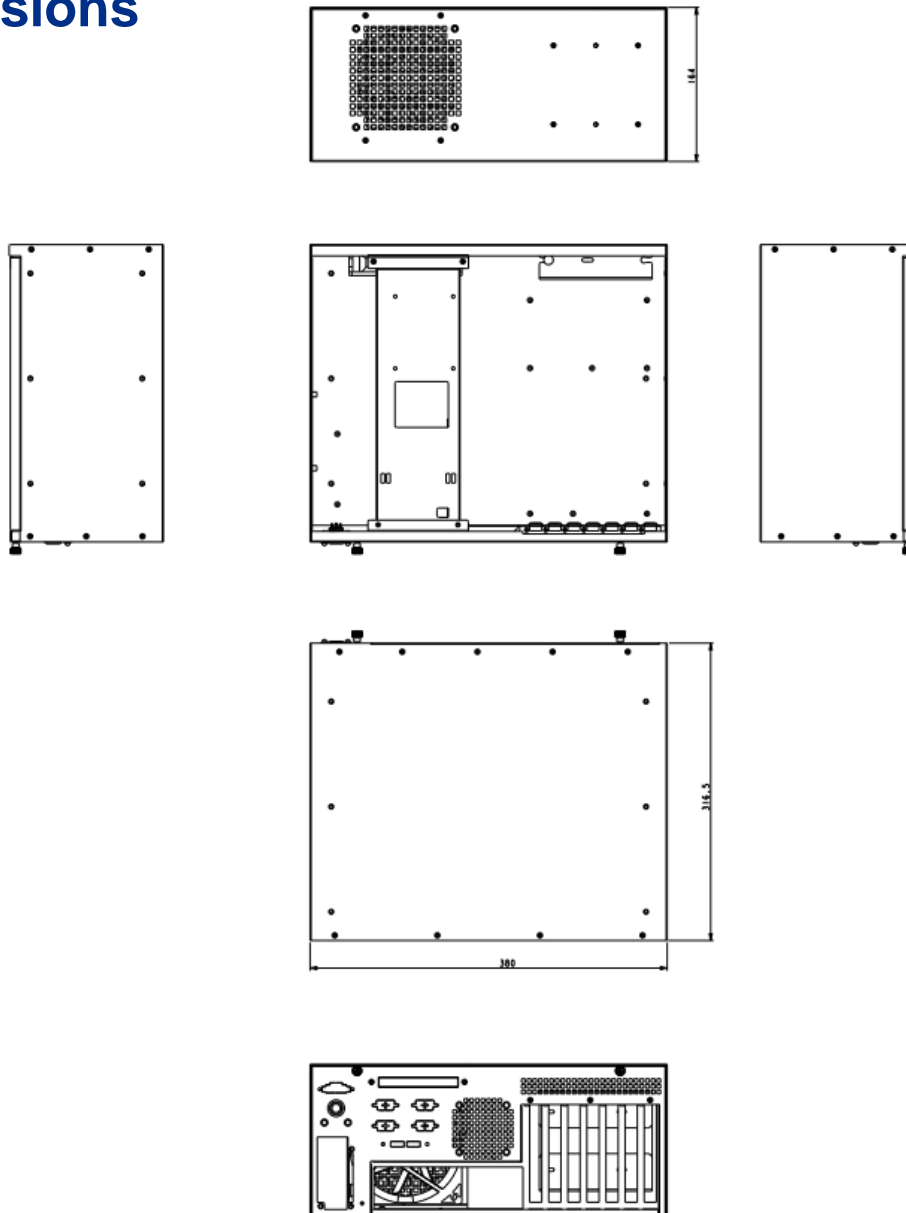


Inside View

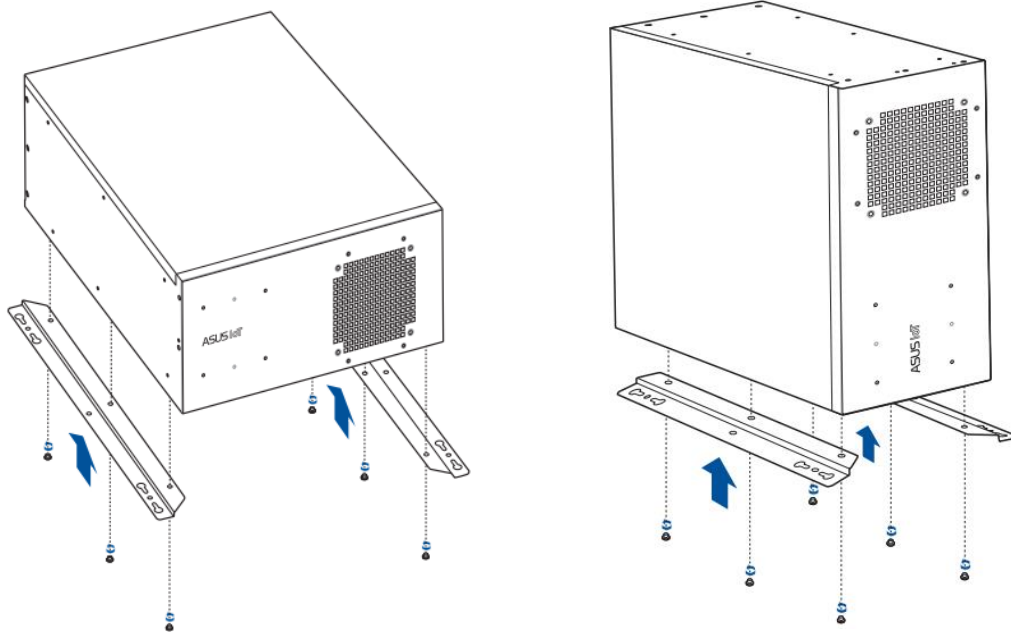


Dimensions

UNIT: mm



Installation



Ordering Information

Model Name	Part number	Compatible ATX/mATX MB	Power Supply
EBS-A710/H110A-IM-AB	90AE01Q2*	H110A-IM-AB	250W FLEX PSU GOLD
EBS-A710/H310A-EM-A	90AE01Q2*	H310A-EM-A	250W FLEX PSU GOLD
EBS-A710/Q470A-EM-A	90AE01Q1*	Q470A-EM-A	250W FLEX PSU GOLD
EBS-A710/H610A-IM-A	90AE01Q3*	H610A-IM-A	250W FLEX PSU GOLD
EBS-A710/Q670EA-IM-A	90AE01Q3*	H610M-IM-A	250W FLEX PSU GOLD

Packing List

Part Number	Description	Quantity
13020*	M.2 screw pack	1
14013*	SATA Cable	1
13AE0*	SYSTEM ACCESSORY	1