

## MTX-Sensor: SeaWater E.Conductivity

### M500-13 Modbus

The M500-13 ORP sensor is a simple and cost-effective solution for a wide range of process and wastewater applications. This all-in-one sensor provides simultaneous measurement of ORP and temperature. The wide-body sensors contain four separate elements in an unbreakable Ryton body, high-volume gel-filled electrolyte, and a double junction reference system that slows down depletion and poisoning, thereby extending the sensor's lifespan.

#### FEATURES

- Utilizes an **advanced anti-polarization technology**, which offers excellent stable measurements and high accuracy.
- Demonstrates strong **underwater** capabilities, ensuring reliability and easy installation.

#### APPLICATIONS

- Urban sewage
- Agricultural irrigation
- Biodegradation
- Chemical
- Water treatment



## ORDERING INFORMATION

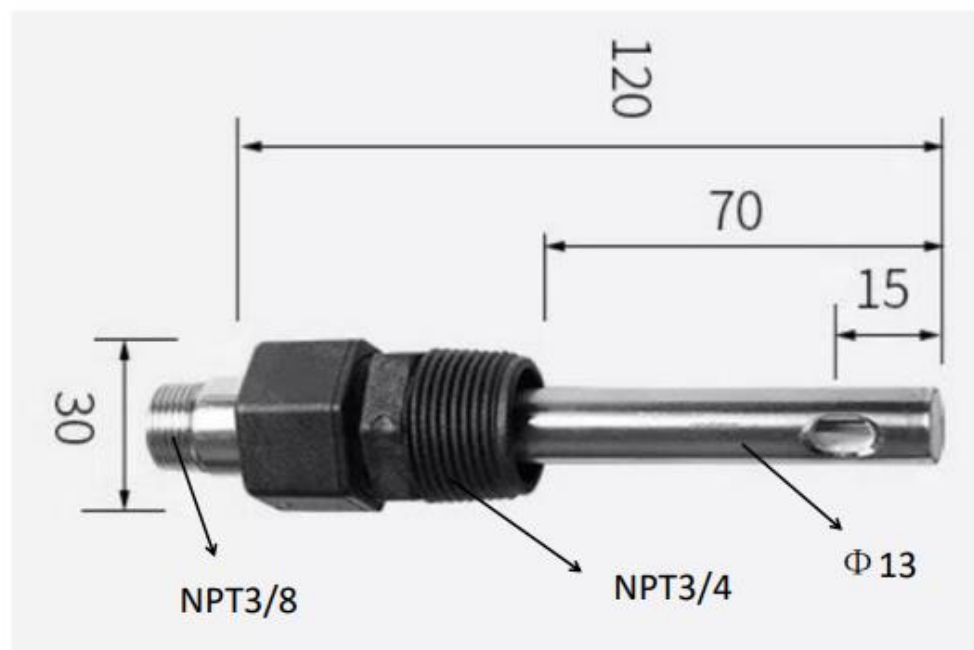
**600203317** MTX-Sensor SeaWater E.Conductivity – M500-13 – Modbus

## SPECIFICATIONS

Item	Technical Specification	
	EC Sensor	
Measuring medium	Liquid	
Principle	Frequency conversion method	
Range	0 ~ 500us/cm, 0 ~ 5000us/cm, 0 ~ 10000us/cm, 0 ~ 200000us/cm (any range of 0-300ms/cm can be customized, 1ms/cm = 1000us/cm)	
Supply	7-30VDC (power consumption < 0.2W)	
Accuracy	±1%	
Response time	1s	
Output Signal	RS485	
Electrode	Titanium alloy	
Temperature compensation		
Drift	≤0.3%FS/24h	
Operating Temperature	-20°C ~ +80°C	
Probe material	316L or ABS (Strongly corrosive liquids)	
Ingress Protection	IP68	
Storage	10-60°C @ 20%-90%RH	
Cable length	Default: 5m	

## DIMENSIONS

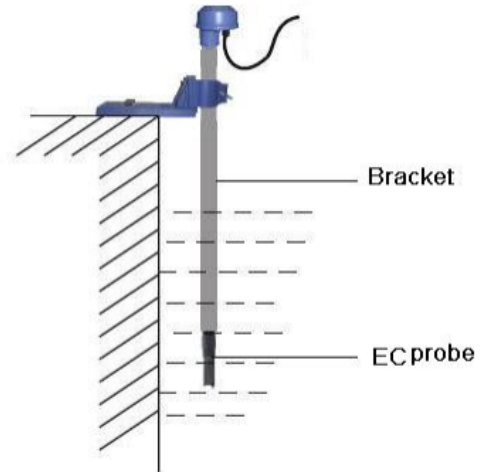
Unit: mm



## INSTALLATION

- Directly into the liquid
- Adopt submersible mounting bracket(show in the below figure)

Mounting bracket(length=1m):



In liquid, probe submersible installation.