

MTX-Sensor Solar Radiation

M200-04 - Modbus

Is designed on basis of silicon-cell principle. It is mainly used for measuring solar radiation within 300-1100nm wavelength. If the sensing face is downwards, it can test the reflectrd radiation and solar radiation on the incident to the inclined plane. If shad is added, it can test the scattered radiation. It is widely used to monitor the solar radiation in meteorology, solar energy, agriculture, construction materials aging and atmosferic pollution and etc.



FEATURES

- Designed on silicon-cell principle
- No moving parts, no maintenance, can work in any altitude
- High sensitivity
- Low power consumption
- light weight, long service life
- Used as sunshine duration sensor

APPLICATIONS

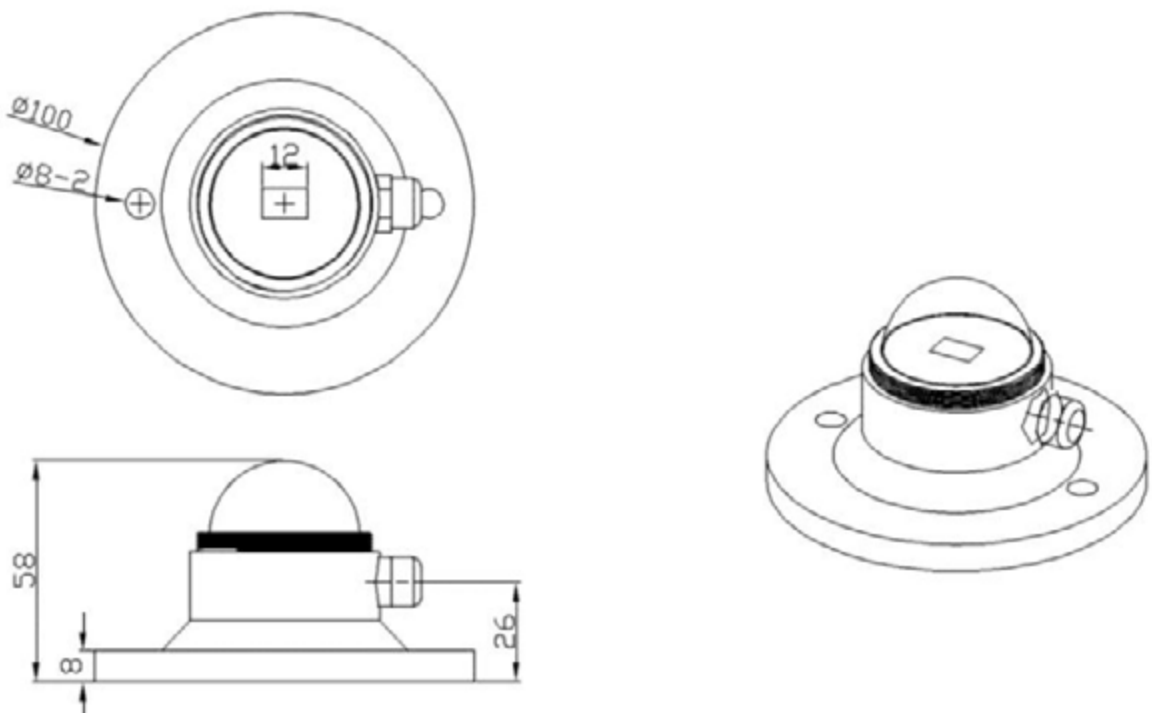
- Meteorology
- Agriculture
- Construction materials aging monitoring
- Air pollution monitoring
- Solar energy

SPECIFICATIONS

Spectral range	300-1100nm
Supply	5V,12-24VDC
Range	0-1500W/m2
Resolution	1W/m2
Output	0-5V,4-20mA,RS485
Response time	≤5s
Cosine correction	≤±10% (Solar elevation angle=10°)
Non-linear	≤±3%
Temperature effect	±0.08%/°C
Stability	≤±2%/year

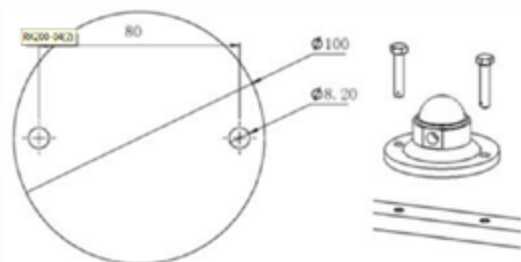
Operating temperature	-40°C+80°C
Ingress Protection	IP65
Weight (unpacked)	420g
Shell material	Aluminum alloy
Storage Condition	10°C-60°C@20%-90%RH

● DIMENSION ●



● MOUNTING & MAINTENANCE ●

- In order to the accuracy of the measurement, please ensure that the sensor mounted horizontally as much as possible.



SPECTRAL RESPONSE

