

Serie "Q-LAMP H1"



- Lampadina a LED di potenza - A tensione di rete**
- Alimentazione 220..240V (a richiesta 100..120V AC), convertitore incorporato.
 - Si adatta a faretti per lampadina dicroica Ø 50mm GU 10
 - Protezione termica a limitazione progressiva
 - Disponibile nei colori 3500°K e 6300°K

- High Brightness LED Lamp - High Voltage**
- Input 220..240V (On request 100..120V AC) - Built-in converter
 - Suitable for being built in standard Ø50mm GU 10 downlights
 - Thermal protection with progressive limitation mode
 - Color temperatures available: 3.500°K and 6.300°K

- High Brightness LED Lampe - Hochspannung**
- Eingang 220..240V (Auf Anfrage 100..120V AC) - Eingebautem Converter
 - Für Einbau in Ø50mm GU 10 Einbaustrahler geeignet
 - Thermische Sicherung auf progressive Beschränkung
 - Farbtemperaturen verfügbar: 3500°K und 6300°K

- Ampoule à LED de puissance - Alimentation à tension de réseau**
- Alimentation 220..240V (Sur demande 100..120V AC) - Avec convertisseur incorporé
 - Adaptable dans les spots encastrables pour dichroïques Ø 50mm, culot GU 10
 - Protection thermique à limitation progressive
 - Disponible dans les couleurs standard 3500°K et 6300°K

- Bombilla a LED de potencia - Alta Tension**
- Alimentación 220..240V (Bajo pedido 100..120V AC) - Con convertidor incorporado
 - Adaptable en los foquitos encastrables para bombillas dicroicas Ø 50mm, GU 10
 - Protección termica a limitación progresiva
 - Disponible en colores estándar 3500°K et 6300°K

4,4 Watt

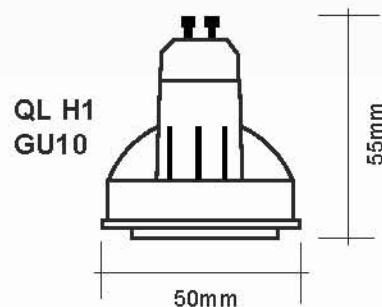
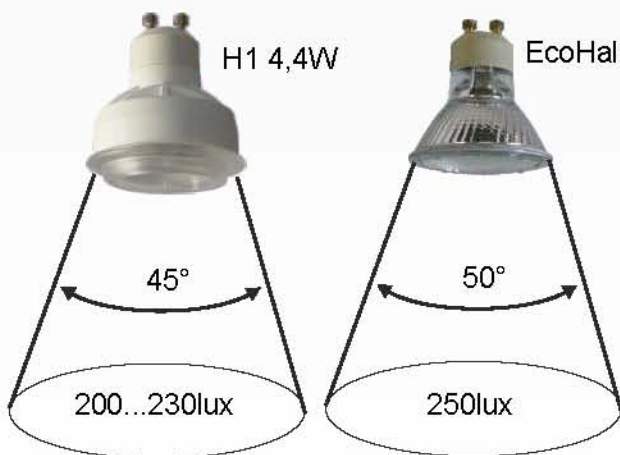


High Power Factor
 $\lambda \geq 0,9$

CE EMC M M F T_a-20°÷+40°C $\lambda \geq 0,9$ 50 mm

Part number	LED colour	Lumen Typ.	Lux at 1 m	Beam	W (typ.)	V (typ.)	Ø	Standard Size
-------------	------------	------------	------------	------	----------	----------	---	---------------

A40QLH14000B	6300°K	350	51	Superwide 60°	4,4W	230V AC	50 mm	GU10
A40QLH14000W	3500°K	220	44	Superwide 60°	4,4W	230V AC	50 mm	GU10
A40QLH140W0B	6300°K	350	180	Wide 45°	4,4W	230V AC	50 mm	GU10
A40QLH140W0W	3500°K	220	215	Wide 45°	4,4W	230V AC	50 mm	GU10
A40QLH140M0B	6300°K	350	300	Medium 30°	4,4W	230V AC	50 mm	GU10
A40QLH140M0W	3500°K	220	260	Medium 30°	4,4W	230V AC	50 mm	GU10
A40QLH140N0B	6300°K	350	620	Narrow 15°	4,4W	230V AC	50 mm	GU10
A40QLH140N0W	3500°K	220	540	Narrow 15°	4,4W	230V AC	50 mm	GU10



Serie "Q-LAMP H2" Dimmable



- Lampadina a LED di potenza - A tensione di rete**
- Alimentazione 220+240V regolabile con Dimmer lato primario
 - Si adatta a faretto per lampadina dicroica Ø 50mm GU10
 - Corpo ceramico metallizzato per migliore dissipazione termica
 - Disponibile nei colori standard ANSI

- High Brightness LED Lamp - High Voltage**
- Input 220+240V Dimmable with normal dimmers on primary
 - Suitable for being built in standard Ø50mm GU10 downlights
 - Metalized ceramic body for better dissipation
 - Standard ANSI colours available

- High Brightness LED Lampe - Hochspannung**
- Eingang 220..240V - Dimmbar durch primärseitiges Dimmer
 - Für Einbau in Ø50mm GU10 Einbaustrahler geeignet
 - Metallisierte Keramikkörper für bessere Wärmeableitung
 - Standard ANSI Farbetemperaturen verfügbar

- Ampoule à LED de puissance - À tension de réseau**
- Alimentation 220+240V - Réglable avec Dimmer côté primaire
 - Adaptable aux spots encastrables pour dichroïques Ø 50mm, culot Gu10
 - Corps céramique métallisé pour une meilleure dissipation thermique
 - Disponible dans les couleurs standard ANSI

- Bombilla a LED de potencia - Alta Tension**
- Alimentación 220+240V - Con convertidor incorporado
 - Adaptable en los focitos encastrables para bombillas dicroicas Ø 50mm, GU10
 - Cuerpo metalizado de cerámica para mejor disipación del calor
 - Disponible en colores estándar ANSI



7 Watt

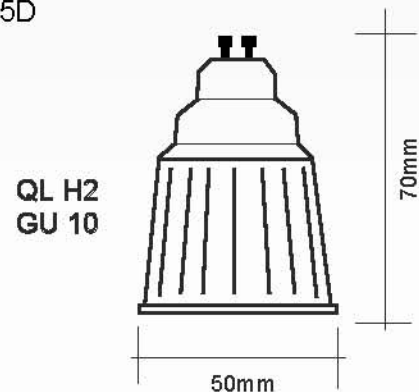
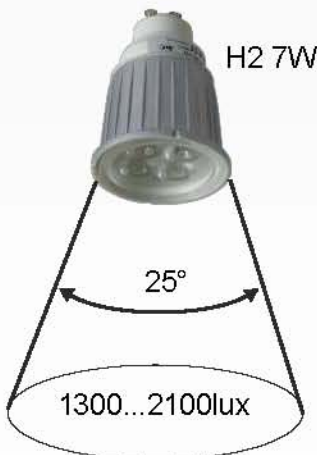


High Power Factor
 $\lambda \geq 0,85$

CE EMC M M F T_a-20°÷+40°C $\lambda \geq 0,85$ 50mm

Part number	LED colour	Lumen Typ.	Lux at 1 m	Beam	W (typ.)	V (typ.)	Ø	Standard Size
-------------	------------	------------	------------	------	----------	----------	---	---------------

A40QLH227M00	2700°K	295	1300	Medium 25°	7 W	230V AC	50 mm	GU10
A40QLH230M00	3000°K	308	1300	Medium 25°	7 W	230V AC	50 mm	GU10
A40QLH235M00	3500°K	320	1600	Medium 25°	7 W	230V AC	50 mm	GU10
A40QLH240M00	4000°K	420	1800	Medium 25°	7 W	230V AC	50 mm	GU10
A40QLH250M00	5000°K	420	2100	Medium 25°	7 W	230V AC	50 mm	GU10
A40QLH227W00	2700°K	295	325	Wide 50°	7 W	230V AC	50 mm	GU10
A40QLH230W00	3000°K	308	325	Wide 50°	7 W	230V AC	50 mm	GU10
A40QLH235W00	3500°K	320	400	Wide 50°	7 W	230V AC	50 mm	GU10
A40QLH240W00	4000°K	420	450	Wide 50°	7 W	230V AC	50 mm	GU10
A40QLH250W00	5000°K	420	525	Wide 50°	7 W	230V AC	50 mm	GU10



Approved dimmer list available on www.qlt.it/technical_note

LED Bulbs
LED Strips
ANSI LED Modules
LED Drivers
Dimmable LED Drivers
RGB LED Systems
Halogen Transformers
Ballasts
Other Products

Serie "Q-LAMP H3"



- Lampadina a LED di potenza - A tensione di rete**
- Alimentazione 220..240V - Alimentatore incorporato
 - Si adatta a faretto per lampadina dicroica Ø 50mm GU10
 - Protezione termica a limitazione progressiva
 - Corpo ceramico metallizzato per una migliore dissipazione termica
 - Disponibile nei colori ANSI 2700°K e 3000°K

- High Brightness LED Lamp - High Voltage**
- Input: 220..240V - Built-in converter
 - Suitable for being built in standard Ø50mm GU10 downlights
 - Thermal protection with progressive limitation mode
 - Metalized ceramic body for a better heat dissipation
 - Color temperatures available: 2700°K and 3000°K ANSI selections.

- High Brightness LED Lampe - Hochspannung**
- Eingang: 220..240V - Eingebauter Konverter
 - Für Einbau in Ø50mm GU 10 Einbaustrahler geeignet
 - Thermische Sicherung auf progressive Beschränkung
 - Metallisierte Keramikkörper für bessere Wärmeableitung
 - Farbtemperaturen verfügbar: 2700°K und 3000°K ANSI Selektionen

- Ampoule à LED de puissance - À tension de réseau**
- Alimentation: 220..240V - Avec convertisseur incorporé
 - Adaptable aux spots encastrables pour dichroïques Ø 50mm, culot GU10
 - Protection thermique à limitation progressive
 - Corps céramique métallisé pour une meilleure dissipation thermique
 - Disponible dans les couleurs ANSI 2700°K et 3000°K ANSI

- Bombilla a LED de potencia - Alta Tension**
- Alimentación: 220..240V - Con convertidor incorporado
 - Adaptable en los focos encastrables para bombillas dicroicas Ø 50mm, GU10
 - Protección termica a limitación progresiva
 - Cuerpo metalizado de cerámica para mejor disipación del calor
 - Disponible en colores ANSI 2700°K et 3000°K



**5,5
Watt**



Power Factor
 $\lambda \geq 0,6$

CE EMC M M F $T_a -20^{\circ} \div +40^{\circ}C$ $\lambda \geq 0,6$ 50 mm

Part number	LED colour	Lumen Typ.	Lux at 1 m	Beam	W (typ.)	V (typ.)	Ø	Standard Size
-------------	------------	------------	------------	------	----------	----------	---	---------------

A40QLH327M00	2700°K	280	800	Medium 25°	5,5 W	230V AC	50 mm	GU10
A40QLH330M00	3000°K	280	810	Medium 25°	5,5 W	230V AC	50 mm	GU10
A40QLH327W00	2700°K	280	200	Wide 50°	5,5 W	230V AC	50 mm	GU10
A40QLH330W00	3000°K	280	205	Wide 50°	5,5 W	230V AC	50 mm	GU10

